

INTERIOR SKYLINE CLUTCH

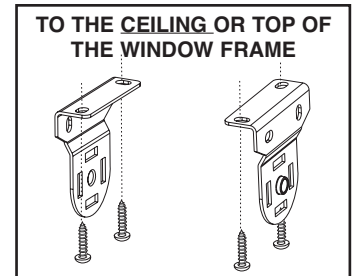
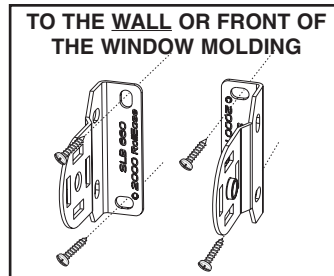
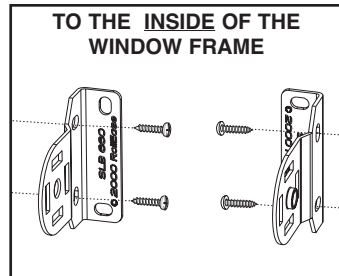
Installation Instructions

1. MOUNT THE BRACKETS.

Attach the brackets to the window frame, window molding, wall or ceiling, as shown.

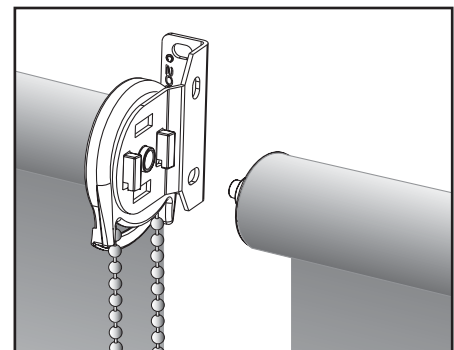
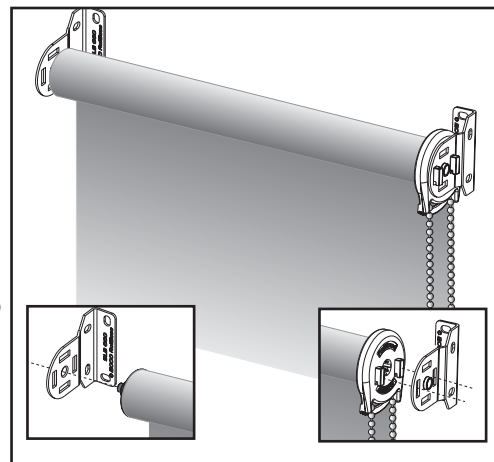
Brackets are universal so clutch may be mounted on either side.

Note: If sharing a standard bracket between two shades, bracket can only be shared by a clutch and a pin end, not clutch-to-clutch or pin end-to-pin end. If sharing an intermediate bracket it can only be shared by two pin ends



2. INSTALL THE SHADE

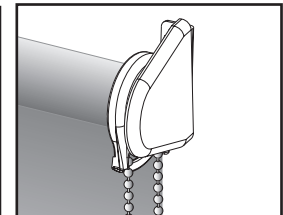
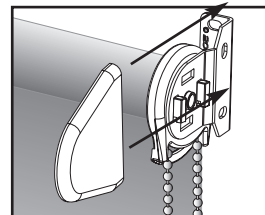
- Put the spring loaded pin end into the round hole of the bracket.
- Keeping the pin end secured in its bracket, insert the hooks on the clutch straight into the two slots in the bracket. Once the two hooks are through the slots, gently pull down on the clutch until the two hooks have locked securely to the bracket. The bottom of the clutch should point straight down.



Note: If sharing a bracket between two shades, bracket can only be shared by a clutch and a pin end, not a clutch-to-clutch or pin end to pin end.

3. INSTALL THE BRACKET COVERS

Bracket covers slide over the bracket until snapped into position.



4. INSTALL THE TENSION DEVICE

5. USE THE CONTROL CORD OR BEAD CHAIN TO OPERATE THE SHADE.

Pulling gently on the cord in one direction raises the shade; pulling it in the other direction lowers it.

6. ATTACH STOPS TO A CONTROL CORD THAT'S MADE OF BEAD CHAIN.

On metal bead chain, attach a metal stop to the fully raised position.

at least 5/16" (8mm) in diameter, so that it touches the clutch when the shade is in the

For metal or plastic bead chain, locate the stop so that it touches the clutch, this prevents

the shade from being lowered beyond that point.

INSTALLING P-CLIP

With safety in mind we have provided you with a P-Clip to keep the beaded chain out of the reach of small children. Mount the P-Clip to the side of the window frame for inside mount, or the frame or wall for outside mount. Do not apply tension to the chain control. The chain should run through the P-clip freely.

INSTALLING D-RINGS

Use self tapping screws (provided) to attach d-rings to bottom bar. Center holes in d-ring between grooves in bottom bar extrusion. We recommend placing d-ring approximately 1" - 2" from end of bottom bar extrusion.

TECHNICAL



Toll Free 877-792-1775 | Fax 877-792-0031
swsuncontrolpro.com | sales@swsuncontrol.com